

AXOLIFT: Offering smart and safe alternatives to ladders

Manulift 200

Up to 4 meters in total safety

www.axolift.com

MANULIFT 200: MANUAL MAST LIFT

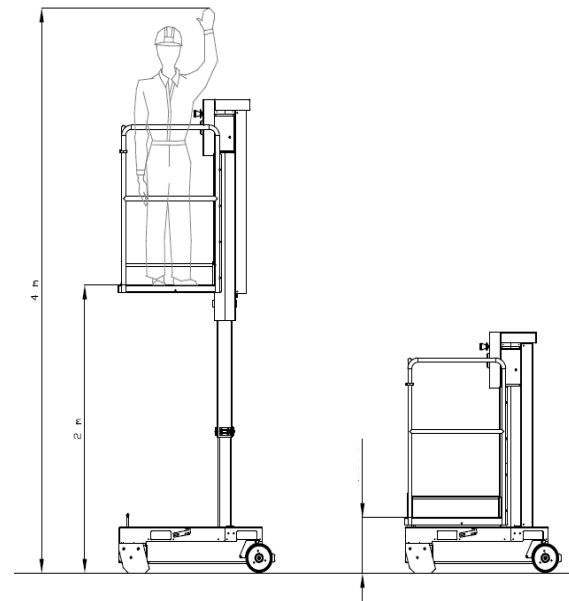
- Without batteries.
- No power consumption or need to be recharged
- Without CO2 emission or gas leakage
- No hydraulic system therefore no risk of leakage
- Low cost maintenance
- Possible use 24h/24 7d/7

MANULIFT 200 platform is a full mechanical, versatile, robust and simple to use vertical mast platform, ideal for many applications – from construction to industries.

- Lightweight
- Completely manual
- Automatic stabilization
- Passes easily through standard doors
- Patented lifting mechanism* without power source

SAFETY:

Automatic breaking system.
Foot brake on rear wheel.
Saloon-door style entry gates.
Attachment point.
Emergency lowering system.



MANULIFT 200 technical data

Dimension:

| | |
|-----------------------|-------------|
| Max. Working Height: | 4,00 m |
| Max. Platform Height: | 2,00 m |
| Overall Width: | 735 mm |
| Overall Length: | 1180 mm |
| Stowed Height: | 1670 mm |
| Work Platform: | 740 x645 mm |
| Ground Clearance: | 62 mm |

Performance:

| | |
|--|---------------------|
| Platform Capacity SWL: | 125kg / 1 pers. |
| Tool Tray Capacity: | 20 kg |
| Max. Force To Be Exerted On The Handle: | -5 daN |
| Allowable Cant: | 0°- Internal Use |
| Max. Wind Speed: | 0km/h- Internal Use |
| High resistance paint Orange RAL 2000 | |
| Marking and conformity CE- Compliance with the standard EN 280 | |

Weight:

| | |
|---------------|--------|
| Gross Weight: | 275 kg |
|---------------|--------|



AXOLIFT BY GROMET

Via San Francesco, 10, 36020, Pove del Grappa, VI,
Italy

+39 0424 58 0783

➤ info@axolift.com
➤ www.axolift.com